

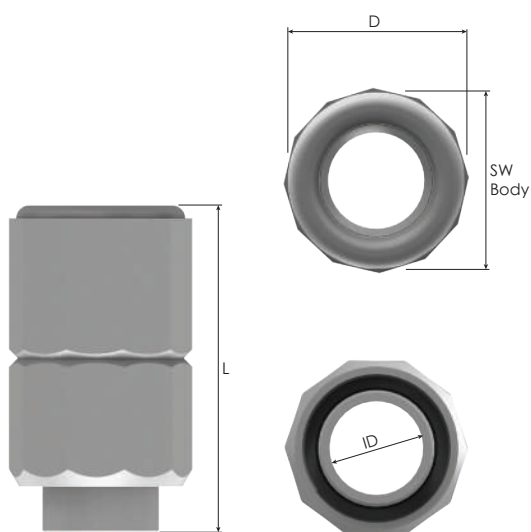
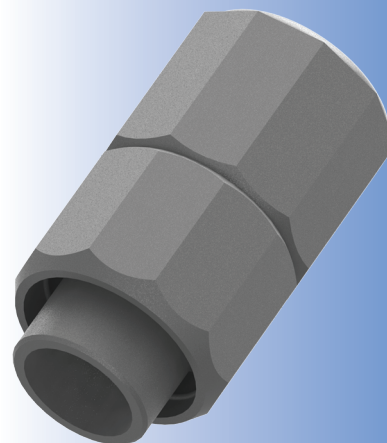
# Conduit Union Polyamide

## Conduit Union

- Halogen free.
- No toxic fumes when involved in a fire.
- For connecting flexible conduits with conduit tubes.

### Technical Details

Material	Fitting Seal	Polyamide 6 Halogene free TPE Halogene free
Ingress Protection Rating		IP 67
Operating Temperature		Permanent -20 °C to +80 °C



## Conduit Union

Size	For Conduit Nominal Size	Spanner Width Body		Outer Ø	Inner Ø	Total Length	Part Number	Minimum Order Quantity
		SW Body mm	D mm				ID mm	
M16	16,0	26	26,4	12,0	49,0	BRCM-01	1500	
M20	20,0	30	31,0	16,0	47,7	BRCM-02	1000	
M25	25,0	35	36,0	20,5	49,0	BRCM-03	750	
M32	32,0	42	43,4	26,0	48,7	BRCM-04	500	
M40	40,0	50	52,0	33,5	61,5	BRCM-05	300	
M50	50,0	62	63,3	44,0	61,5	BRCM-06	200	